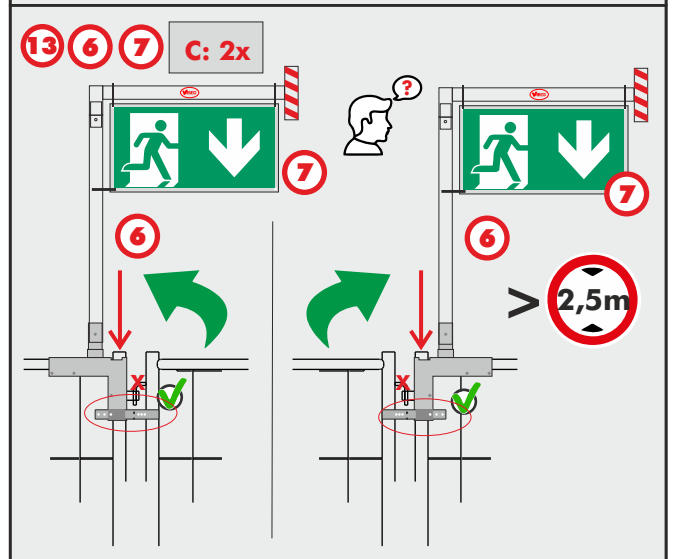
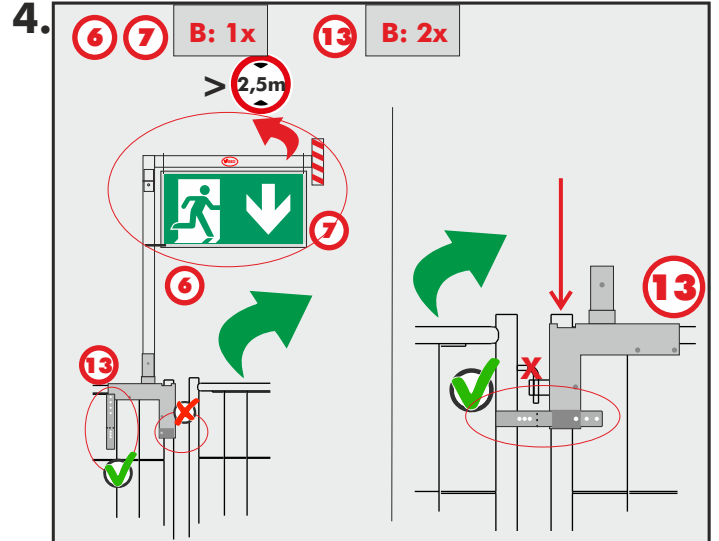
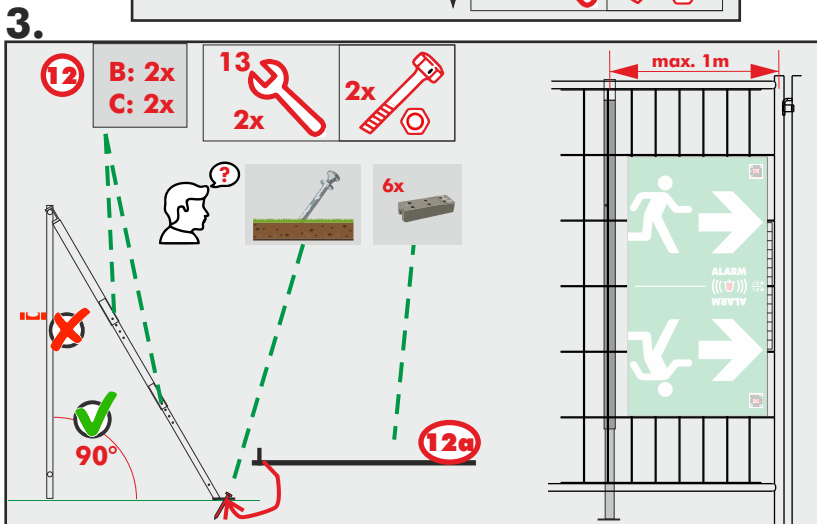
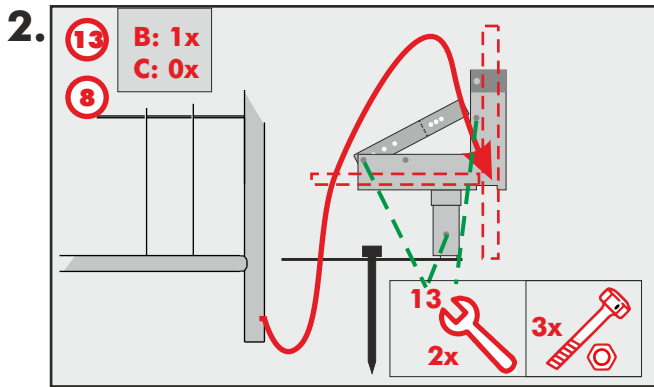
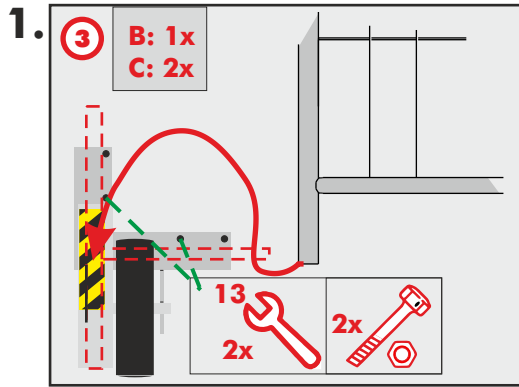
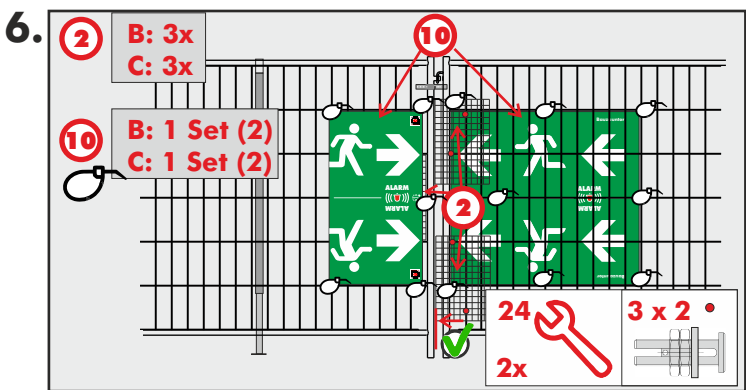
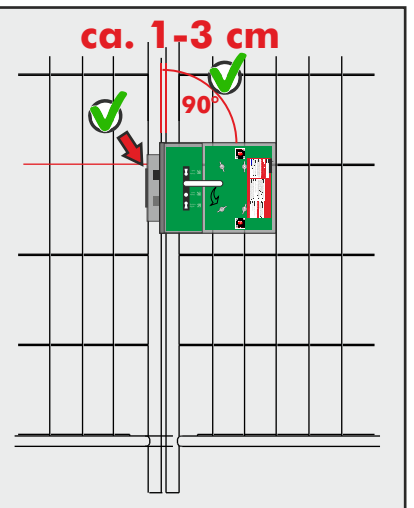
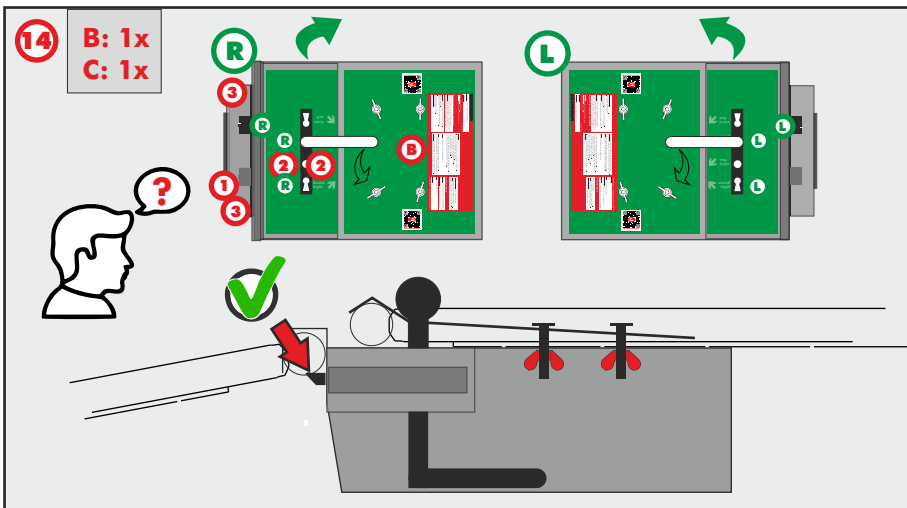
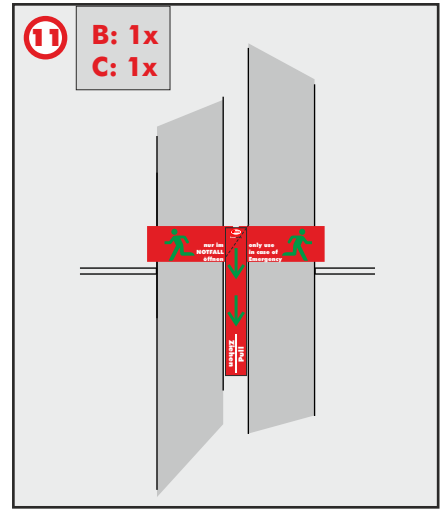
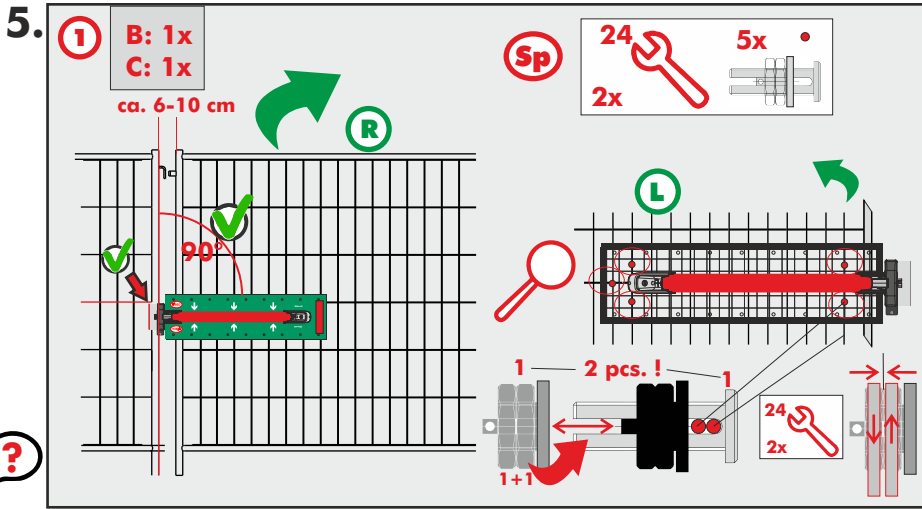
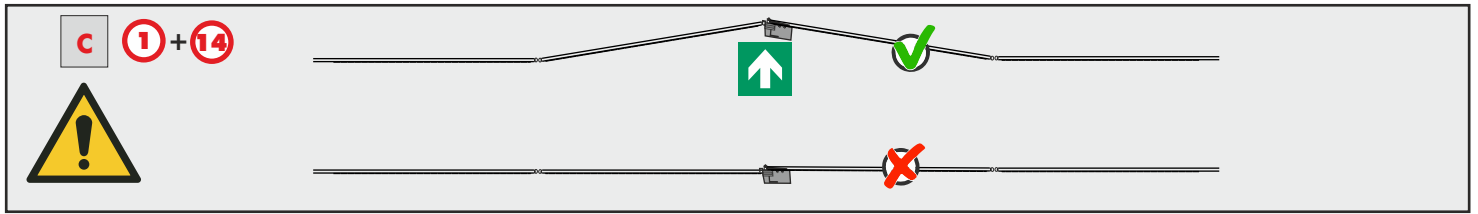


1. ↓
2. ↓
3. ↓
- ...





1 Batterietausch Panikdrücker: https://www.youtube.com/watch?v=Qecz01JDng&feature=emb_logo

5 Externer Alarm https://www.youtube.com/watch?v=-RqAgzSXI5A&feature=emb_logo

